

CPVC Pipe & Threaded Fittings

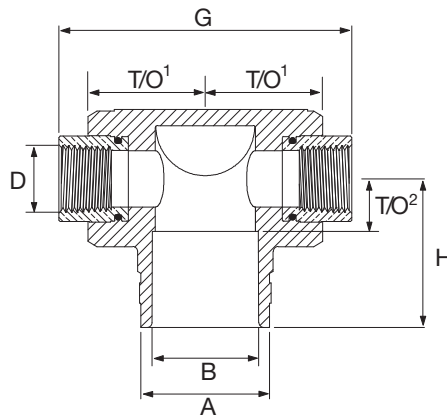
CPVC Fittings

Back-to-Back Sprinkler Head Tee, Slip x Female Thread x Female Thread



| | |
|----------------------------|--|
| Sizes | DN25 DN15 (1" x 1/2") |
| Approvals | UL, C-UL Listed & FM, MEA, NSF, & LPCB Approved |
| Rated Pressure | 12,1 bar (175 psi) |
| Maximum Temperature Rating | 65°C (150°F). |
| Tech Data Sheet | TFP1915 and Installation Handbook - IH-1900 |

Manufactured with Lubrizol's BLAZEMASTER® compound ■ Produced from BlazeMaster® thermoplastic compound, RAPID RESPONSE CPVC fittings are designed exclusively for use in wet and dry pipe automatic fire sprinkler systems. ■ Our CPVC is easier to install than traditional steel components, while providing superior heat resistance and strength compared to traditional CPVC and PVC fitting materials.



CPVC Back-to-Back Sprinkler Head Tee, Slip x Female Thread x Female Thread

| Part No. | Size | | | | | A mm | G mm | H mm | T/O¹ mm | T/O² mm | Weight kg | Dry Wall Size | Approval Listings | | | | |
|----------|-----------|-----|------------|----------|---------------|---------|---------|---------|------------|------------|--------------|---------------------|-------------------|----|----|-----|-----|
| | B Nominal | | D Threaded | | Take-Out | | | | | | | | LPCB | FM | UL | MEA | NSF |
| | DN | In. | DN | In. | | | | | | | | | ✓ | ✓ | ✓ | ✓ | ✓ |
| 80459 | 25 | 1" | 15 | 1/2" NPT | 92mm (3-5/8") | 40 | 92 | 47 | 34 | 17 | 0.218 | 3/8" | ✓ | ✓ | ✓ | ✓ | ✓ |
| 80460 | 25 | 1" | 15 | 1/2" NPT | 86mm (3-3/8") | 40 | 85 | 47 | 30 | 17 | 0.209 | 1/2" | ✓ | ✓ | ✓ | ✓ | ✓ |